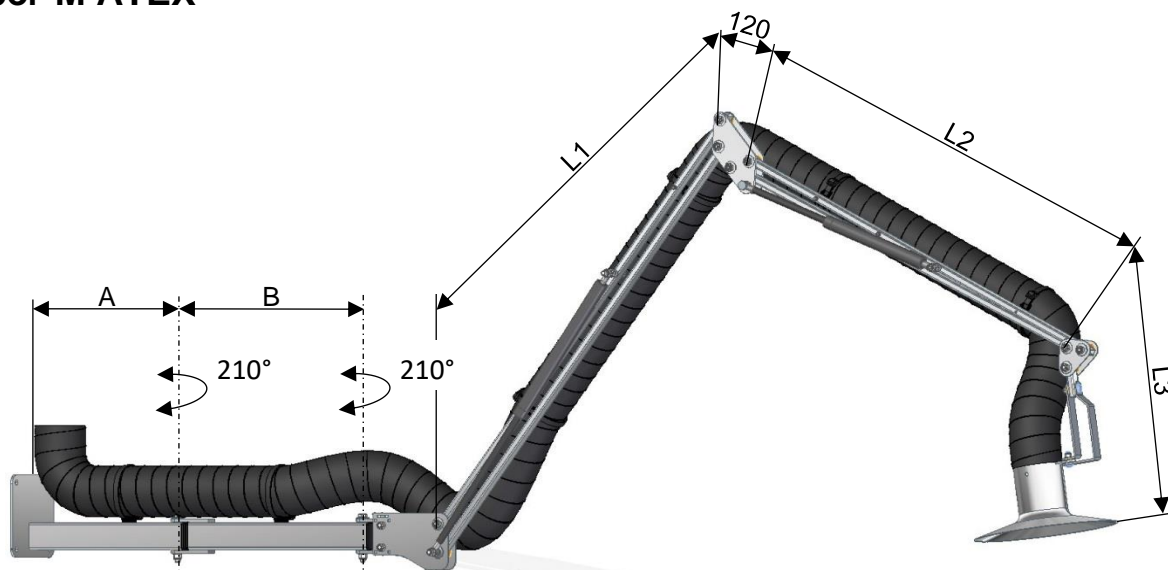


Super-M ATEX



Trichter:

Ø110 - Düse



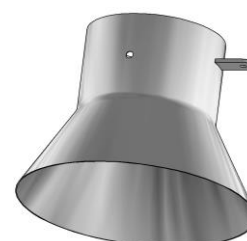
Ø110 - 67°



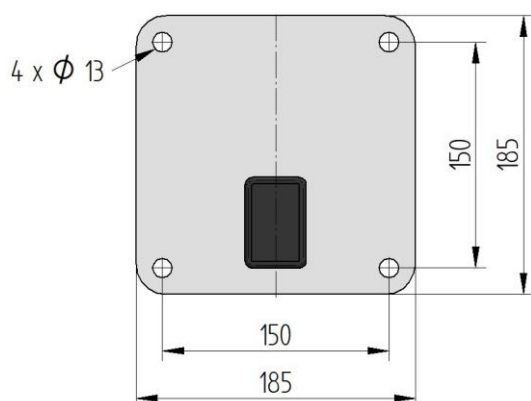
Ø110 - 150°



Ø160



Lochbild Wandkonsole:



| | A | B | L1 | L2 | L3 | Gewicht | Gesamtlänge |
|--------------|--------|--------|---------|--------|--------|---------|-------------|
| 1,5 m | 250 mm | - | 435 mm | 335 mm | 480 mm | 14 kg | 1750 mm |
| 2,0 m | 500 mm | - | 435 mm | 335 mm | 480 mm | 15 kg | 2000 mm |
| 2,2 m | 250 mm | - | 665 mm | 565 mm | 480 mm | 17 kg | 2250 mm |
| 2,5 m | 500 mm | - | 665 mm | 565 mm | 480 mm | 18 kg | 2500 mm |
| 3,0 m | 500 mm | - | 1165 mm | 960 mm | 480 mm | 24 kg | 3350 mm |
| 4,0 m | 500 mm | 500 mm | 1165 mm | 960 mm | 480 mm | 27 kg | 3850 mm |