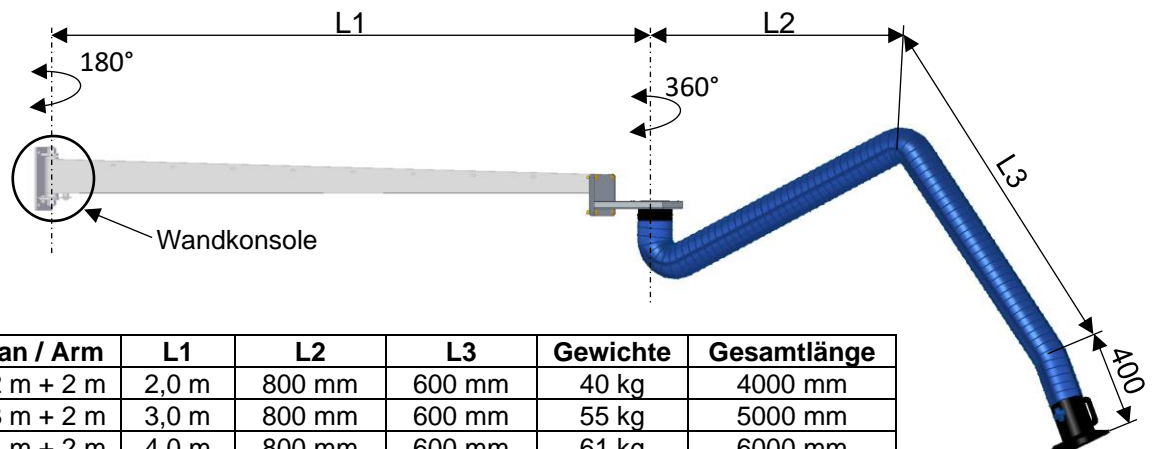
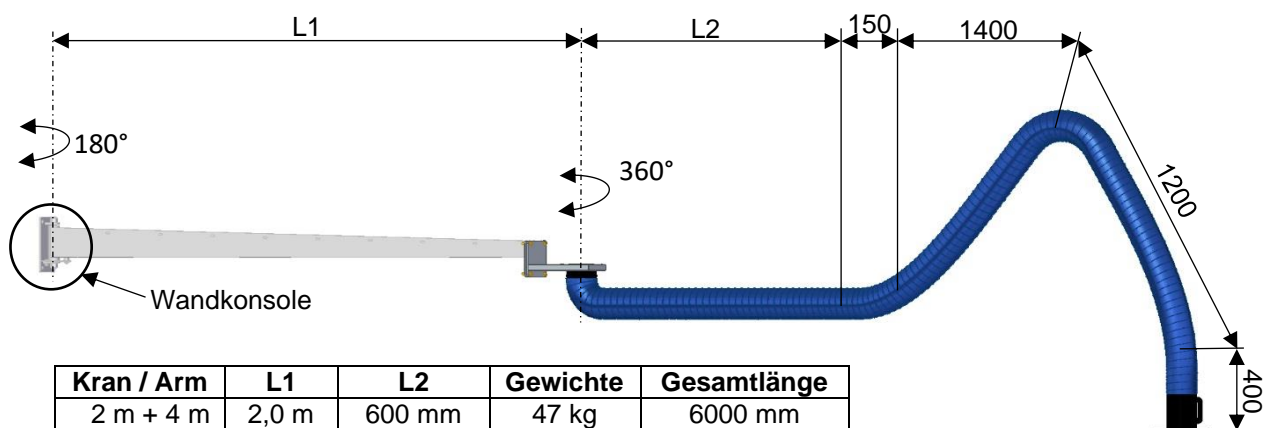


Flexi Kran

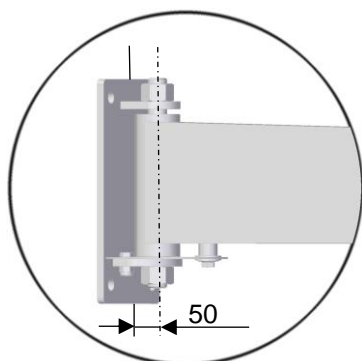


| Kran / Arm | L1 | L2 | L3 | Gewichte | Gesamtlänge |
|------------|-------|---------|---------|----------|-------------|
| 2 m + 2 m | 2,0 m | 800 mm | 600 mm | 40 kg | 4000 mm |
| 3 m + 2 m | 3,0 m | 800 mm | 600 mm | 55 kg | 5000 mm |
| 4 m + 2 m | 4,0 m | 800 mm | 600 mm | 61 kg | 6000 mm |
| 2 m + 3 m | 2,0 m | 1400 mm | 1200 mm | 42 kg | 5000 mm |
| 3 m + 3 m | 3,0 m | 1400 mm | 1200 mm | 57 kg | 6000 mm |
| 4 m + 3 m | 4,0 m | 1400 mm | 1200 mm | 63 kg | 7000 mm |



| Kran / Arm | L1 | L2 | Gewichte | Gesamtlänge |
|------------|-------|---------|----------|-------------|
| 2 m + 4 m | 2,0 m | 600 mm | 47 kg | 6000 mm |
| 3 m + 4 m | 3,0 m | 600 mm | 62 kg | 7000 mm |
| 4 m + 4 m | 4,0 m | 600 mm | 68 kg | 8000 mm |
| 2 m + 5 m | 2,0 m | 1700 mm | 51 kg | 7000 mm |
| 3 m + 5 m | 3,0 m | 1700 mm | 66 kg | 8000 mm |
| 4 m + 5 m | 4,0 m | 1700 mm | 73 kg | 9000 mm |

Wandkonsole:



Lochbild Wandkonsole:

